



LUXE ATELIER

MILANO

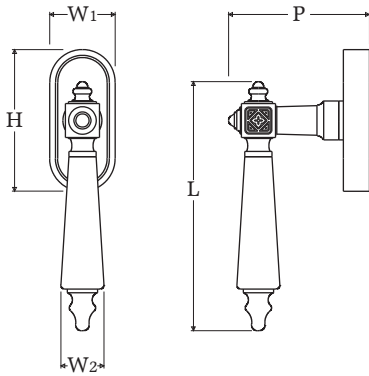
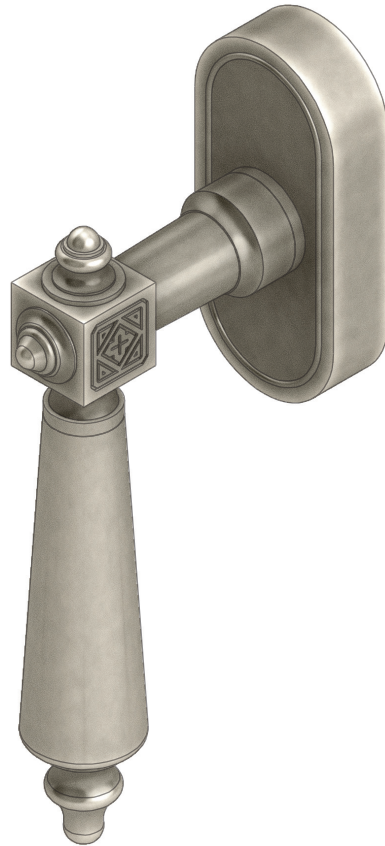


Drehkipp per Finestra Serie Castle
Castle Series Drehkipp Window Handle

Dimensioni
Dimensions

L	P	W ₂	W ₁	H
132	72	23	35	75

Dimensioni in millimetri
Dimensions given in millimeters



Fornito con meccanismo DK q.7x45mm e viti M5x50.

Disponibile in tutte le finiture standard.

Dimensioni e finiture su misura disponibili su richiesta.

Regularly furnished with DK mechanism q.7x45mm and M5x50 screws.

Additional sizes available by special order. Available in standard and custom finishes.